

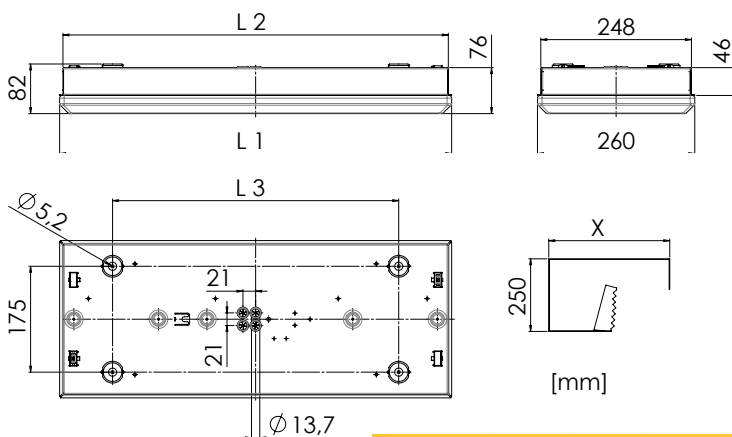


Part no. 2x 10 W 5111008600-xxx
2x 20 W 5111008700-xxx

Light source	Linear LP LED modules
Wattage	2x 10 W / 2x 20 W
Equivalent	2x 14 / 2x 28 W FL T5 2x 18 / 2x 36 W FL T8
CCT (color)	3,000 K or 4,000 K
CRI	≥ 80
Voltage	110-240 V AC
Frequency	50-60 Hz

Recessed mounted ceiling luminaire for passage ways, accommodation areas and corridors

Design	According to rules of maritime classification societies and relevant standards
Housing	Galvanized steel, powder coated white (RAL9016)
Diffuser	Opal polycarbonate, impact-proof, UV resistant
Mounting	4 mounting holes, Ø 5.2 mm
Cable entry	4x inlets for cables max. Ø 11 mm
Protection class	IP44 in conjunction with ceiling
Weight	3.1 kg (2x 10 W) / 5.5 kg (2x 20 W)



Type	L1	L2	L3	X
2x 10 W	648	634	475	635
2x 20 W	1260	1244	950	1245

Extras

- 24 V DC
- Dimmable
- Emergency battery back-up
- Different fitting systems available

Spare parts

LED module kit 10 W	7409001400
LED module kit 20 W	7409001500
LED driver	7103011100
Diffuser 10 W	7112000600
Diffuser 20 W	7112000700

