

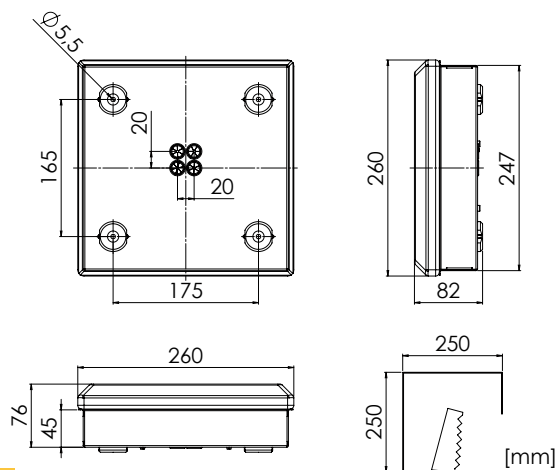
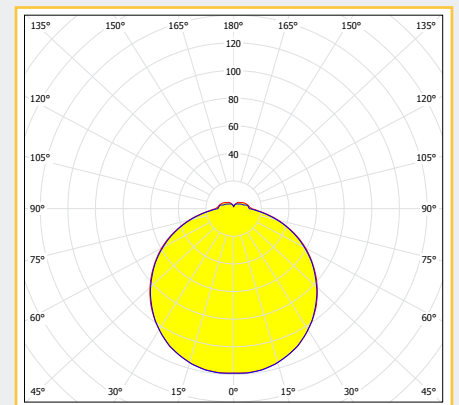


Part no. 5111001300-019

Light source	Compact fluorescent lamp (not included)
Lamp base	2G7
Wattage	2x 9 W
Voltage	220-240 V AC
Frequency	50-60 Hz

Recessed mounted ceiling luminaire for passage ways, dining rooms and accommodation areas

Design	According to rules of maritime classification societies and relevant standards
Housing	Galvanized steel, powder coated white (RAL9016)
Diffuser	Opal polycarbonate, impact-proof
Mounting	4 mounting holes, Ø 5.5 mm
Cable entry	4 inlets for cables max. Ø 11 mm
Wiring	Flexible wiring, heat resistant up to 105°C
Protection class	IP30. IP44 in conjunction with ceiling
Weight	Max. 1.75 kg



Extras

- 120 V AC execution
- Electromagnetic ballast
- Additional E14 lamp holder for emergency light
- B0- execution
- Different cable entries on request
- Different fitting systems available

Spare parts	Part no.
Diffuser	7112004700
Lamp holder 2G7	7111023400