

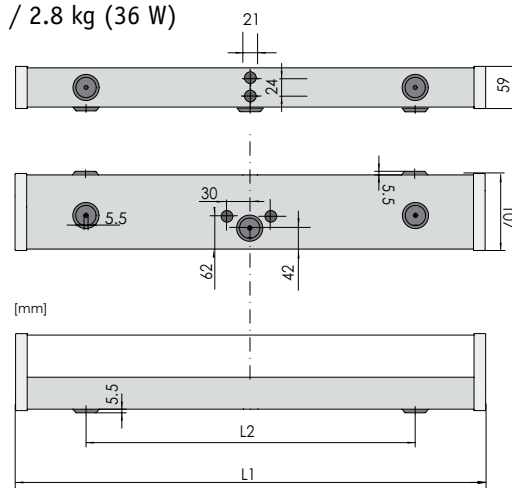


Part no. 1x 18 W 5113001000-xxx
1x 36 W 5113001100-xxx

Light source	T8 fluorescent tubes (not included)
Lamp base	G13
Wattage	1x 18 W 1x 36 W
Voltage	220-240 V AC
Frequency	50-60 Hz

Surface mounted cornice luminaire for floor areas, passage ways, cabins, accommodation areas

Design	According to rules of maritime classification societies and relevant standards
Housing	Galvanized steel, powder coated white (RAL9016)
End caps	White polycarbonate
Diffuser	Opal or crystal polycarbonate, impact-proof
Mounting	5 mounting holes, \varnothing 5.5 mm
Cable entry	4 inlets for cables max. \varnothing 11 mm
Wiring	Flexible wiring, heat resistant up to 105°C
Protection class	IP30
Weight	1.7 kg (18 W) / 2.8 kg (36 W)



Extras

120 V AC execution
Dimmable electronic ballast
Electromagnetic ballast
Emergency lamp holder E14
2-pole switch
Emergency battery backup

Type	L1	L2
1x 18 W	642	480
1x 36 W	1253	968

Spare parts	Part no.
Opal diffuser 18 W	7933000300
Crystal diffuser 18 W	7933000400
Opal diffuser 36 W	7933000500
Crystal diffuser 36 W	7933000600
End cap	7503000400
Lamp holder G13	7111023600