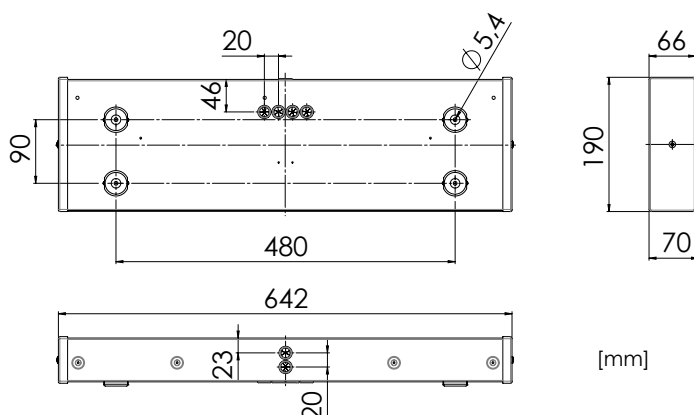




Cornice luminaire, efficient lighting for floor areas, passage ways, cabins, accommodation areas

Design	According to rules of maritime classification societies and relevant standards
Housing	Galvanized steel, powder coated white (RAL9016)
End caps	White polycarbonate
Diffuser	Opal or crystal polycarbonate, impact-proof
Mounting	4 mounting holes, \varnothing 5.4 mm
Cable entry	6 inlets for cables max. \varnothing 11 mm
Protection class	IP30
Weight	2.8 kg (1x 10 W) / 3.0 kg (1x 20 W)



Extras

1x 10 W execution with battery back-up

With 2-pole switch

Part no. 1x 10 W 5113003100-xxx
2x 10 W 5113003200-xxx

Light source	Linear LP LED modules
Wattage	1x 10 W / 2x 10 W
Equivalent	14 W FL T5 18 W FL T8
CCT (color)	3,000 K or 4,000 K
CRI	\geq 80
Voltage	110-240 V AC
Frequency	50-60 Hz

Spare parts

LED module kit	7409001400
LED driver	7103011200
Opal diffuser	7112006900
Crystal diffuser	7112006800
End cap	7503000300