

EL 14 Cornice Luminaire, surface

4
48

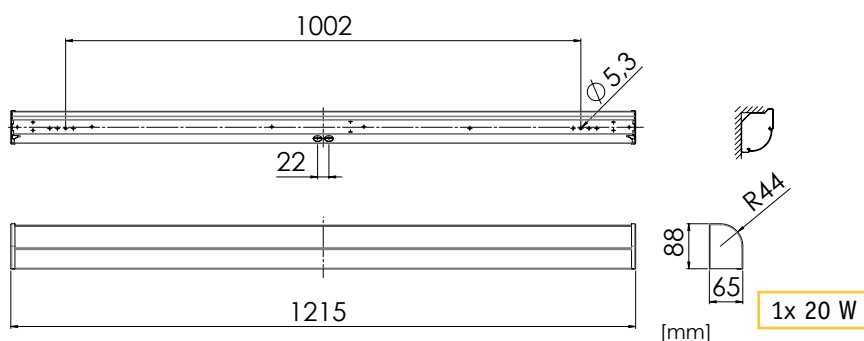
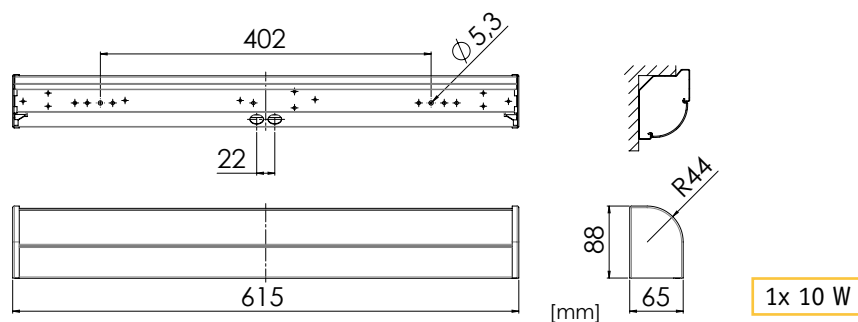
Part no. 10 W 5113002900-xxx
20 W 5113003000-xxx

Light source	Linear LP LED modules
Wattage	10 W / 20 W
Equivalent	14 / 28 W FL T5 18 / 36 W FL T8
CCT (color)	3,000 K or 4,000 K
CRI	≥ 80
Voltage	110-240 V AC
Frequency	50-60 Hz



Cornice luminaire, efficient lighting for floor areas, passage ways, cabins, accommodation areas

Design	According to rules of maritime classification societies and relevant standards
Housing	Galvanized steel, powder coated white (RAL9016)
End caps	White polycarbonate
Diffuser	Opal polycarbonate, impact-proof
Mounting	2 / 4 mounting holes, Ø 5.3 mm
Cable entry	4 cable entries, Ø 20 mm
Protection class	IP30
Weight	2.1 kg (1x 10 W)/ 3.5 kg (1x 20 W)



Spare parts

LED module kit	7409001400
LED driver	7103011200
Lamp cover (1x 10 W)	7933000100
Lamp cover (1x 20 W)	7933000200
End cap left	7504000400
End cap right	7504000500

