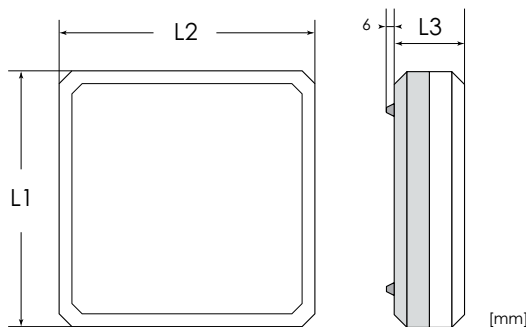




Surface mounted ceiling luminaire for cabins, accommodation and public areas

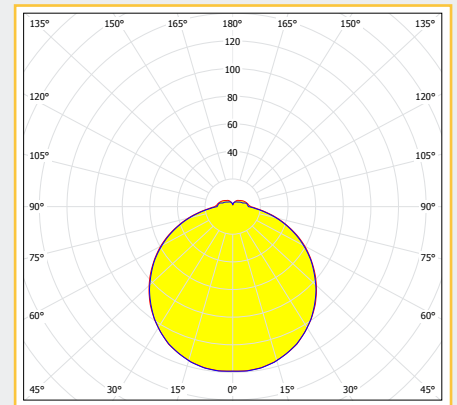
- Design** According to rules of maritime classification societies and relevant standards
- Housing** Polycarbonate, white
- Diffuser** PMMA opal
- Mounting** 4 mounting holes, Ø 4.0 mm
- Cable entry** 1 inlet for cables max. Ø 11 mm
- Wiring** Flexible wiring, heat resistant up to 105°C
- Protection class** IP54
- Weight** 0.6 kg (2x 9 W) / 1.3 kg (2x 11 W)



Part no. 2x 9 W 5112000100-xxx
2x 11 W 5112001000-xxx

Light source	Compact fluorescent lamp (not included)
Lamp base	2G7
Wattage	2x 9 W 2x 11 W
Voltage	220-240 V
Frequency	50-60 Hz

2x 9 W



Type	L1	L2	L3
2x 9 W	200	200	58
2x 11 W	300	300	83

Extras

- 120 V AC execution
- 24 V DC execution

Spare parts	Part no.
Diffuser 2x 9 W	7112008100
Diffuser 2x 11 W	7112008000
Lamp holder 2G7	7111023400

