

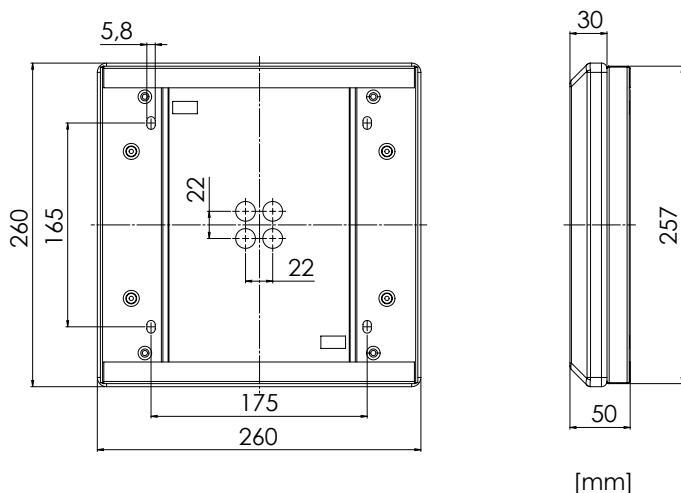
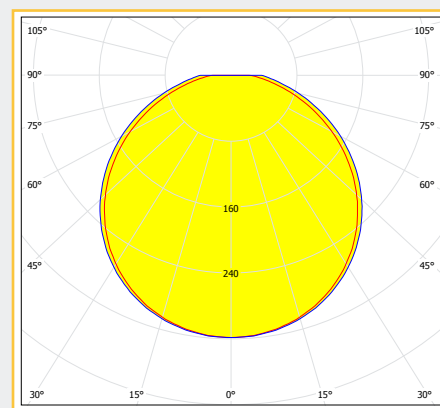


Part no. 5112002800-009

Light source	Compact fluorescent lamp (not included)
Lamp base	2G7
Wattage	2x 11 W
Voltage	220-240 V AC
Frequency	50-60 Hz

Superflat surface mounted ceiling luminaire for passage ways, cabins, accommodation and public areas

Design	According to rules of maritime classification societies and relevant standards
Housing	Galvanized steel, powder coated white (RAL9016)
Diffuser	Opal polycarbonate, impact-proof
Mounting	4 mounting holes, Ø 5.8 mm
Cable entry	4 inlets for cables max. Ø 11 mm
Wiring	Flexible wiring, heat resistant up to 105°C
Protection class	IP43
Weight	1.1 kg



Extras

120 V AC execution

Different cable entries on request

Spare parts	Part no.
Diffuser	7112004700
Lamp holder 2G7	7111023400