

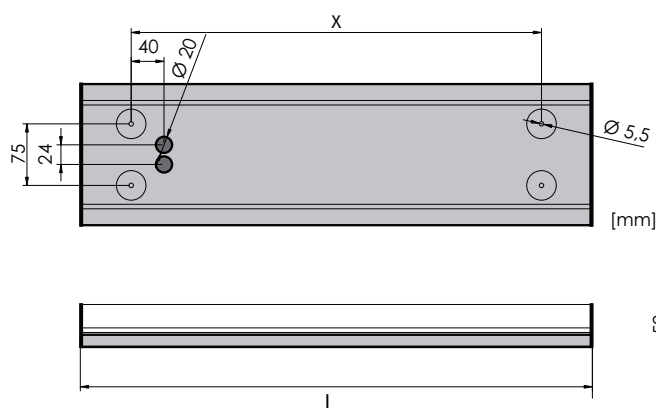
Part no. 2x 10 W 5112007300-xxx  
2x 20 W 5112007400-xxx

Light source	Linear LP LED modules
Wattage	2x 10 W / 2x 20 W
Equivalent	2x 14 / 2x 28 W FL T5 2x 18 / 2x 36 W FL T8
CCT (color)	3,000 K or 4,000 K
CRI	≥ 80
Voltage	110-240 V AC
Frequency	50-60 Hz



### Ceiling luminaire, surface, for passage ways, cabins, lounges, accommodation areas

Design	According to rules of maritime classification societies and relevant standards
Housing	Galvanized steel, powder coated white
End caps	White polycarbonate
Diffuser	Opal polycarbonate, impact-proof
Mounting	4 mounting holes, Ø 5.5 mm
Cable entry	2 cable entries, Ø 20 mm
Protection class	IP20
Weight	2.2 kg (2x 10 W)/ 4.0 kg (2x 20W)



#### Spare parts

LED module kit 10 W	7409001400
LED module kit 20 W	7409001500
LED driver	7103011100
Diffuser (2x 10 W)	7112021600
Diffuser (2x 20 W)	7112031900
End cap	7504000600

Type	L mm	X mm
2x 10 W	623	500
2x 20 W	1270	980

#### Extras

24 V DC

Dimmable