



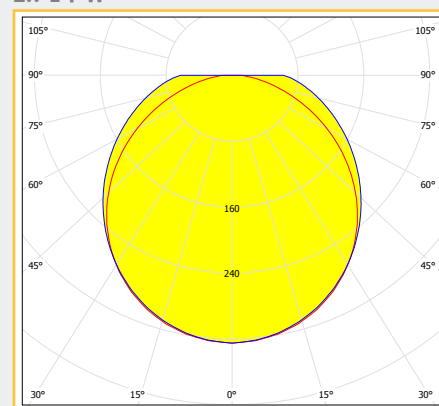
Part no. 2x 14 W 5112005000-001  
2x 28 W 5112005300-001

<b>Light source</b>	T5 fluorescent tubes (not included)
<b>Lamp base</b>	G5
<b>Wattage</b>	2x 14 W 2x 28 W
<b>Voltage</b>	220-240 V AC
<b>Frequency</b>	50-60 Hz

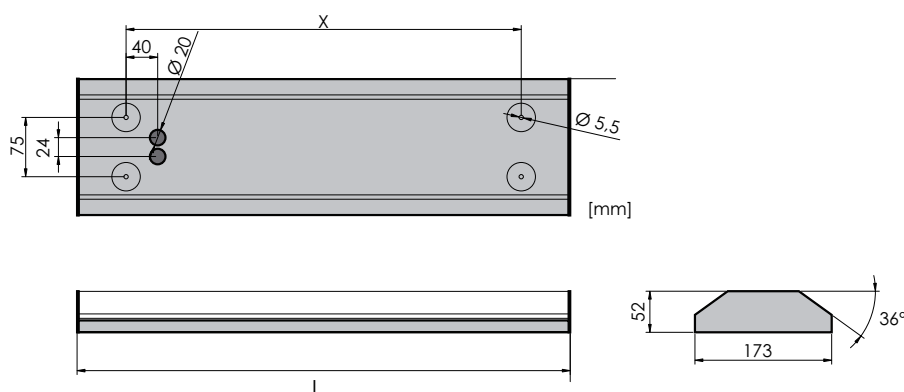
Surface mounted ceiling luminaire for passage ways, cabins, lounges, dining rooms and accommodation areas

<b>Design</b>	According to rules of maritime classification societies and relevant standards
<b>Housing</b>	Galvanized steel, powder coated white
<b>End caps</b>	White polycarbonate
<b>Diffuser</b>	Opal polycarbonate, impact-proof
<b>Mounting</b>	4 mounting holes, Ø 5.5 mm
<b>Cable entry</b>	2 cable entries Ø 20 mm
<b>Wiring</b>	Flexible wiring, heat resistant up to 105°C
<b>Protection class</b>	IP20
<b>Weight</b>	1.7 kg (2x 14 W) / 3.3 kg (2x 28 W)

2x 14 W



Type	L	X
2x 14 W	623	500
2x 28 W	1270	980



Extras

120 V AC execution
LED execution
Dimmable electronic ballast

Spare parts	Part no.
Diffuser 2x 14 W	7112021600
Diffuser 2x 28 W	7112031900
Lamp holder G5	7111016000
End cap	7504000600

