



Ballast unit for ST76 floodlights with high pressure discharge lamps

Design	According to rules of maritime classification societies and relevant standards
Housing	Stainless steel, 1.4404 (AISI 316L) powder coated white (RAL9016)
Mounting	Mounting holes, \varnothing 10 mm
Cable entry	Max. 4 cable glands M24, brass with earthing insert
Ballast	Electromagnetic ballast with capacitor
Wiring	Flexible wiring, heat resistant up to 105°C
Protection class	IP67

Type	Part no.	Weight
1x 250 W	50 Hz 5801000100	10.8 kg
	60 Hz 5801000100-001	10.8 kg
2x 250 W	50 Hz 5801000200	18.8 kg
	60 Hz 5801000200-001	18.8 kg
1x 400 W	50 Hz 5801000300	10.8 kg
	60 Hz 5801000300-001	10.8 kg
2x 400 W	50 Hz 5801000400	18.8 kg
	60 Hz 5801000400-001	18.8 kg
1x 1000 W	50 Hz 5801000500	15.8 kg
	60 Hz 5801000500-001	15.8 kg

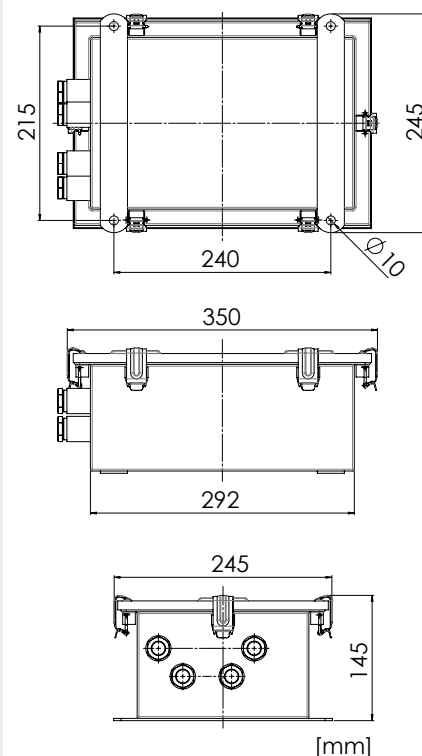
Extras

120 V AC execution

Different cable glands on request

Part no. 5801xxxxxx-xxx

Voltage	230 V AC
Frequency	50 Hz or 60 Hz



Spare parts	Part no.
Clamps (6pcs)	7106000700