

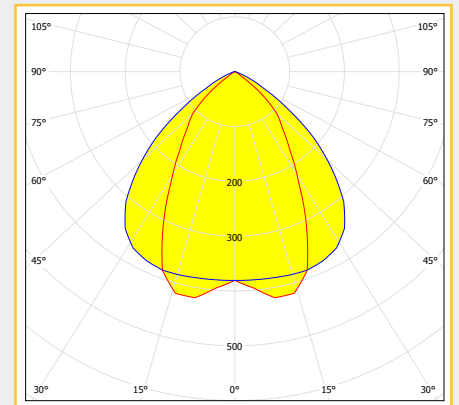


## Floodlight, max. 1x 400 W for HST/HIT lamps with integrated ballast

<b>Design</b>	According to rules of maritime classification societies and relevant standards
<b>Housing</b>	Stainless steel, 1.4404 (AISI 316L) seamless deep drawn, powder coated white (RAL9016)
<b>Cover</b>	Tempered glass, DIN 12150
<b>Mounting</b>	Stainless steel brackets, adjustable
<b>Reflector</b>	Aluminium anodized, wide beam angle
<b>Cable entry</b>	Junction box, cable gland brass with earthing insert
<b>Ballast</b>	Electromagnetic ballast (included)
<b>Wiring</b>	Flexible wiring, high temperature resistant
<b>Protection class</b>	IP67

Part no. 5101000700-xxx

<b>Light source</b>	HST/ HIT lamp (not included)
<b>Lamp base</b>	E40
<b>Wattage</b>	1x 250 W 1x 400 W
<b>Voltage</b>	230 V AC
<b>Frequency</b>	50 Hz or 60 Hz

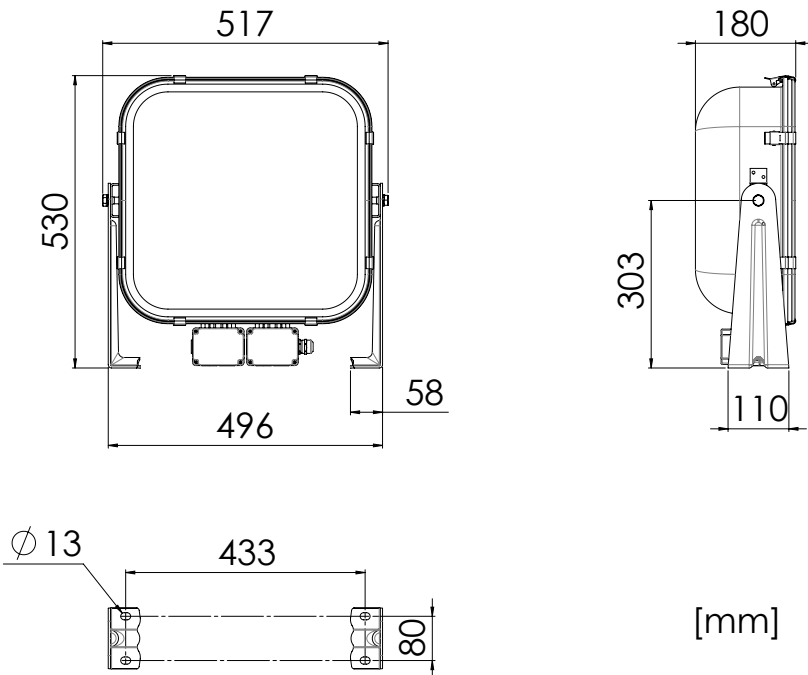


Lamp	Ballast	Part no.	Weight
HST/HIT 250 W	50 Hz l.p.f	5101000700-006	16.0 kg
	60 Hz l.p.f	5101000700-008	16.0 kg
	50 Hz h.p.f.c	5101000700-007	16.0 kg
	60 Hz h.p.f.c	5101000700-012	16.0 kg
HST/HIT 400 W	50 Hz l.p.f	5101000700-005	18.4 kg
	60 Hz l.p.f	5101000700-001	18.4 kg
	50 Hz h.p.f.c	5101000700-004	18.4 kg
	60 Hz h.p.f.c	5101000700-002	18.4 kg

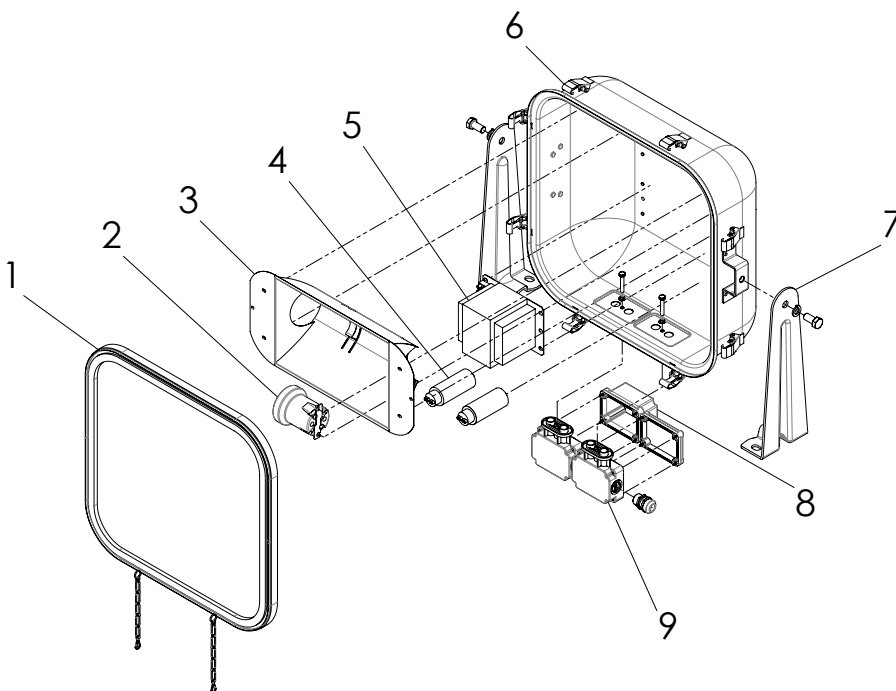
### Extras

- 120 V AC execution
- Narrow beam reflector
- Different cable glands on request
- E39 lamp holder

Part no. 5101000700-xxx



[mm]



Spare parts		Part no.
1	Cover with frame	7902001700
2	Lamp holder E40	7111001400
3	Reflector wide beam	7901000600
4	Capacitor	on request
5	Ballast	on request
6	Clamps (8 pcs)	7106001800
7	Bracket	7501006200
8	Box with ignitor	7104000200
9	Junction box	7212000900