



High efficient, stainless steel LED floodlights for decks, holds, industrial areas, IP67

Design	According to rules of maritime classification societies and relevant standards
Housing	Stainless steel, 1.4404 (AISI 316L) seamless deep drawn Powder coated white (RAL9016)
Safety pane	Tempered glass, DIN 12150, partially lacquered
Mounting	Stainless steel bracket, adjustable
Reflector	Aluminium reflectors with spherical facets, interference-colors free
Cable entry	Exterior connection box, cable gland M20
Protection class	IP67

Extras

24 V DC

Safety pane partially satined

Different cable glands on request

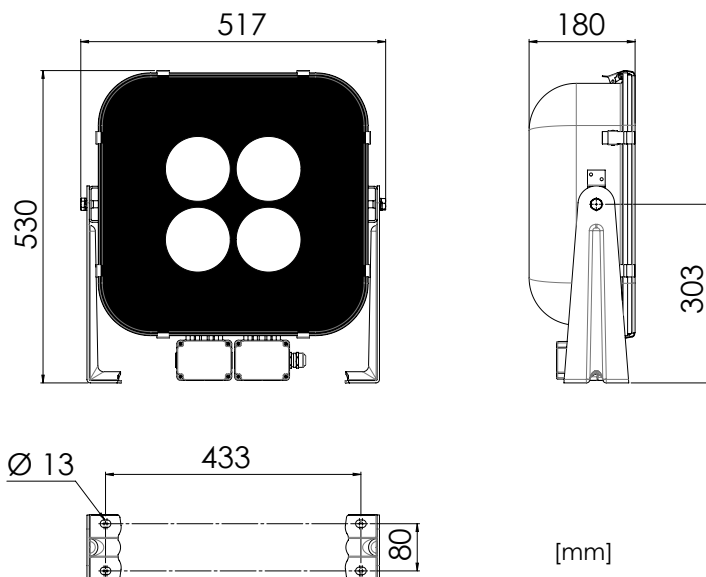
Reflectors with different beam angles can be combined

Different color temperatures on request



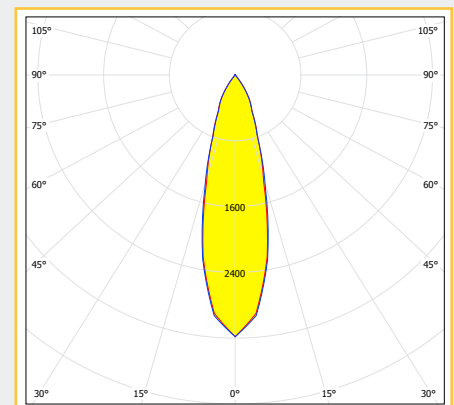
Type specification

Light source	4x LED array
Wattage	4x 25 W
CCT (color)	5,700 K
CRI	≥ 80
Voltage	110-240 V AC
Frequency	50-60 Hz
Weight	16.5 kg



Part no. 5101005500-xxx

Type	Part. No.
ST76 XL 4x 22°	5101005810-001
ST76 XL 4x 37°	5101005810-000
ST76 XL 4x 52°	5101005810-002
ST76 XL 4x 91°	5101005810-027



Spare parts

LED array kit	7409003000
Connection type unit	7305000700
Cover w. frame	7902002500
Bracket	7501006200
Reflector kit 22°	7901003400
Reflector kit 37°	7901003500
Reflector kit 51°	7901003600
Reflector kit 92°	7901003700