



## High efficient, stainless steel LED floodlights for decks, holds, industrial areas, IP67

<b>Design</b>	According to rules of maritime classification societies and relevant standards
<b>Housing</b>	Stainless steel, 1.4404 (AISI 316L) seamless deep drawn Powder coated white (RAL9016)
<b>Safety pane</b>	Tempered glass, DIN 12150, partially lacquered
<b>Mounting</b>	Stainless steel bracket, adjustable
<b>Reflector</b>	Aluminium reflectors with spherical facets, interference-colors free
<b>Cable entry</b>	Exterior connection box, cable gland M20
<b>Protection class</b>	IP67

### Extras

24 V DC

Safety pane partially satined

Different cable glands on request

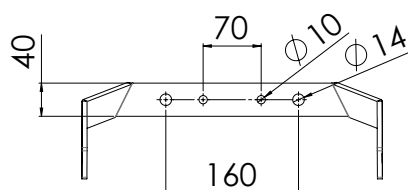
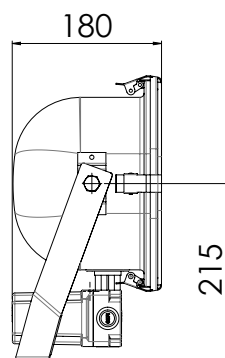
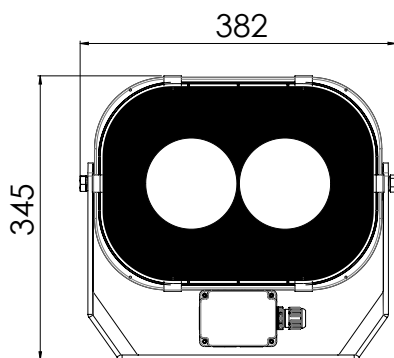
Reflectors with different beam angles can be combined

Different color temperatures on request



### Type specification

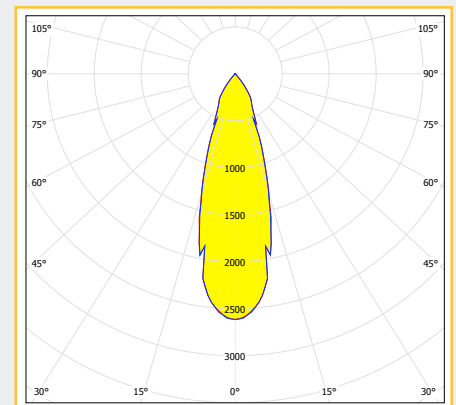
Light source	2x LED array
Wattage	2x 25 W
CCT (color)	5,700 K
CRI	≥ 80
Voltage	110-240 V AC
Frequency	50-60 Hz
Weight	7.5 kg



[mm]

Part no. 5101005800-xxx

Type	Part. No.
ST76 M 2x 22°	5101005810-001
ST76 M 2x 37°	5101005810-000
ST76 M 2x 52°	5101005810-002
ST76 M 2x 91°	5101005810-027



### Spare parts

LED array kit	7409003000
Connection type unit	7305000700
Cover w. frame	7902002700
Bracket	7501000300
Reflector kit 22°	7901003400
Reflector kit 37°	7901003500
Reflector kit 51°	7901003600
Reflector kit 92°	7901003700