

ST76 S Floodlight

1
8

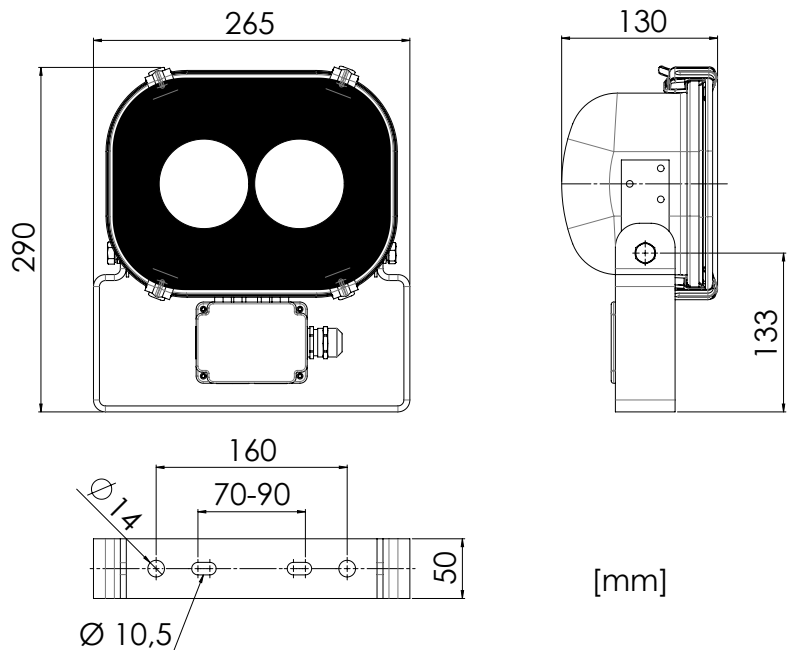
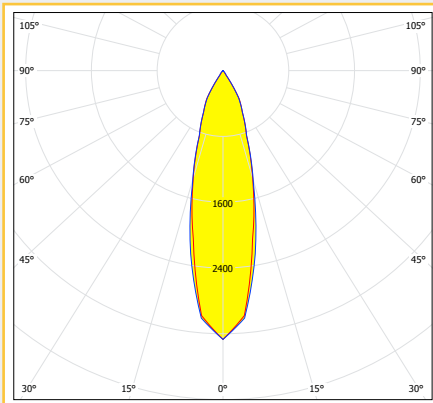
Part no. 5101005310-xxx

Type	Part. No.
ST76 2x17°	5101005310-001
ST76 2x23°	5101005310-000
ST76 2x39°	5101005310-002



Type specification

Light source	2x LED array
Wattage	2x 10 W
CCT (color)	5,000 K
CRI	≥ 80
Voltage	110-240 V AC
Frequency	50-60 Hz
Weight	4.2 kg



Spare parts

LED array kit	7409003400
Connection type unit	7305000800
Cover w. frame	7902002800
Bracket	7501007100
Reflector kit 17°	7901003900
Reflector kit 23°	7901003800
Reflector kit 39°	7901004000

