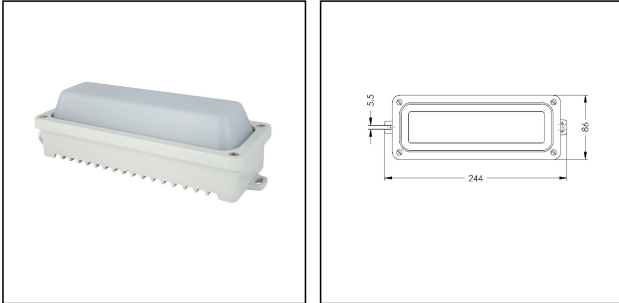



PL-Luminaire LED 3,1W 4307153

LED Multi-purpose luminaire



Product illustrations are exemplary and may differ from the chosen product. Further variants and individual customization, we will gladly provide you on request.



WISKA-Order no.	50105201
Type	PL-Luminaire LED 3,1W 4307153
Material	Cast aluminium
Material globe/diffuser	Polycarbonate
Globe colour	Opal
Wattage	3 W
Voltage	230 V
Voltage min. (V)	220 V
Voltage max. (V)	240 V
Type of Voltage	AC
Frequency	50/60 Hz
Temp. range min	-25 °C
Temp. range max	45 °C
Lamp	LED
Lamp	included
Power supply, electronic	50-60Hz, 220-230VAC
Type of cable gland	PG16 / 12-14mm
Ø cable diameter min	12 mm
Ø cable diameter max	14 mm
Using for cable gland	
Equipment	Aluminium pressure screws PG16
Mounting	Surface mounting, Wall, Ceiling
Colour	RAL 7035
External dimensions LxWxH	244x86x42mm
Weight	0,74 kg

Surface

Powder coated

Approval

SGS

Remarks:

- with inbuilt LED module
- luminous flux 229 lm
- 2 aluminium cable gland seals PG16 O=

Spare parts

SP-H042002 Lamp cover opal

22000537

H542150 Sealing PL-Luminaires - SE

50045626

20.03.2017

