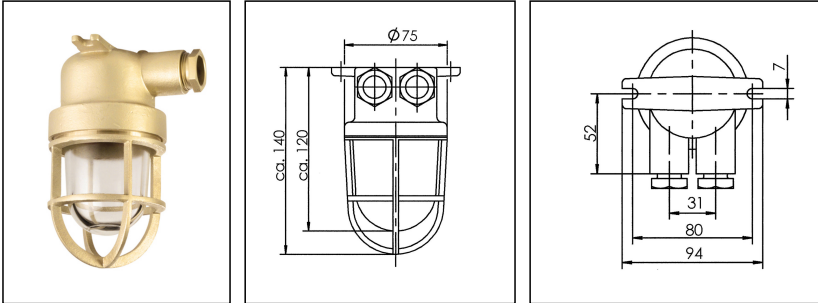


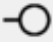
1017/gK/clear/oT/1984-1xZ14

HNA standard light, small



Product illustrations are exemplary and may differ from the chosen product. Further variants and individual customization, we will gladly provide you on request.



| | |
|--------------------------------|---|
| WISKA-Order no. | 10012988 |
| Type | 1017/gK/clear/oT/1984-1xZ14 |
| Material | Brass |
| Material globe/diffuser | Glass |
| Globe colour | Clear |
| Material guard | Brass |
| Power[^] | 1 x 25 W |
| Wattage | 25 W |
| Voltage | 230 V |
| Type of Voltage | AC |
| Protection class | IP56 |
| Temp. range min | -40 °C |
| Temp. range max | 45 °C |
| Lampholder | E14 |
| Number of lampholder | 1 ST |
| Lamp | Incandescent lamp |
| Lamp | not included |
| Lamp shape | pear-shaped |
| Type of cable gland | M24x1,5 Z 14 / 12-14,5mm |
| Material cable gland | Brass |
| Using for cable gland |  |
| Type of cable | armoured |
| Ø cable diameter min | 12 mm |
| Ø cable diameter max | 14,5 mm |
| Mounting | Ceiling, Surface mounting, Upside down |

| | |
|----------------------------------|--------------------|
| Equipment | without drope hole |
| External dimensions LxWxH | 140x94mm |
| Weight | 0,86 kg |
| Approval | GL |

Recommended accessories

| | |
|----------------------------------|----------|
| SP-1160 Wall bracket 60mm | 22000351 |
|----------------------------------|----------|

Spare parts

| | |
|-------------------------------|----------|
| SP-1990/oT/clear | 22000297 |
| SP-1984 Lampholder E14 | 22000298 |
| SP-gK 1017 Cast guard | 22000300 |
| SP-1017 Gasket | 22000861 |

20.03.2017

