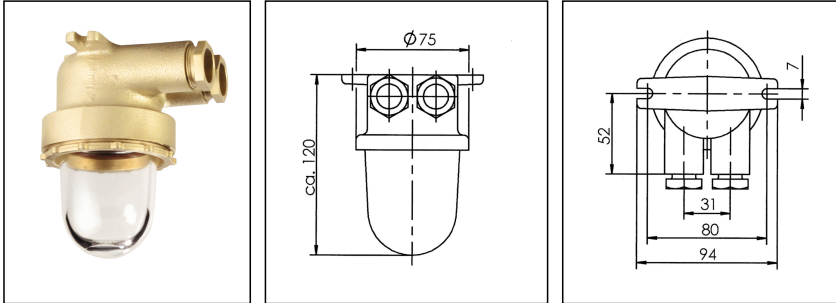



1017/gR/clear/oT/1984-1xZ14

HNA standard light, small



Product illustrations are exemplary and may differ from the chosen product. Further variants and individual customization, we will gladly provide you on request.



WISKA-Order no.	10011571
Type	1017/gR/clear/oT/1984-1xZ14
Material	Brass
Material globe/diffuser	Glass
Globe colour	Clear
Power^	1 x 25 W
Wattage	25 W
Voltage	230 V
Type of Voltage	AC
Protection class	IP56
Temp. range min	-40 °C
Temp. range max	45 °C
Lampholder	E14
Number of lampholder	1 ST
Lamp	Incandescent lamp
Lamp	not included
Lamp shape	pear-shaped
Type of cable gland	M24x1,5 Z 14 / 12-14,5mm
Material cable gland	Brass
Using for cable gland	
Type of cable	armoured
Ø cable diameter min	12 mm
Ø cable diameter max	14,5 mm
Mounting	Ceiling, Surface mounting, Upside down
Equipment	without drope hole

External dimensions LxWxH	120x94mm
Weight	0,75 kg
Approval	GL

Recommended accessories

SP-1160 Wall bracket 60mm	22000351
----------------------------------	----------

Spare parts

SP-1990/oT/clear	22000297
SP-1984 Lampholder E14	22000298
SP-1017 Gasket	22000861

20.03.2017

