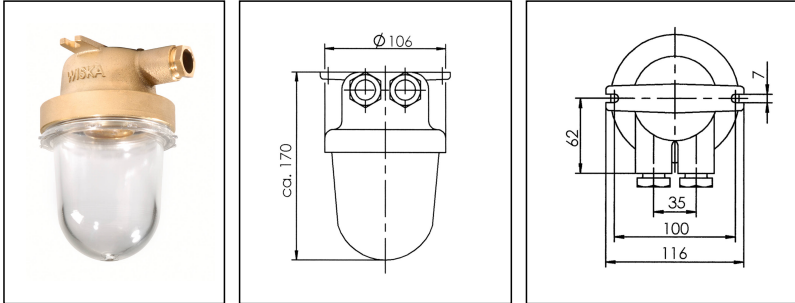



1131/oS/clear/mT/1974-1xZ14

HNA standard light



Product illustrations are exemplary and may differ from the chosen product. Further variants and individual customization, we will gladly provide you on request.



WISKA-Order no.	10013209
Type	1131/oS/clear/mT/1974-1xZ14
Material	Brass
Material globe/diffuser	Glass
Globe colour	Clear
Wattage	100 W
Voltage	230 V
Type of Voltage	AC
Protection class	IP56
Temp. range min	-25 °C
Temp. range max	45 °C
Lampholder	E27
Number of lampholder	1 ST
Lamp	Incandescent lamp
Lamp	not included
Lamp shape	pear-shaped
Type of cable gland	M24x1,5 Z 14 / 12-14,5mm
Material cable gland	Brass
Using for cable gland	
Type of cable	armoured
Ø cable diameter min	12 mm
Ø cable diameter max	14,5 mm
Mounting	Surface mounting, Ceiling, Upside down
Equipment	with drope hole
External dimensions LxWxH	170x116mm

Weight	1,14 kg
Approval	GL

Equipment:

- above 75W incandescent lamp we recommend a branching box

Recommended accessories

SP-1112 Wall bracket 12mm	22000350
SP-Vibration damper light 1131	22000913

Spare parts

SP-Incandescent lamp 60W 230V E27	22000191
SP-1974 Lampholder with 2 mounting feet	22000192
SP-1900/mT/clear	22000293
SP-1931/mT/clear	22000295
SP-1189 Anti dazzle screen	22000534
SP-1131/oS Gasket	22000943

20.03.2017

