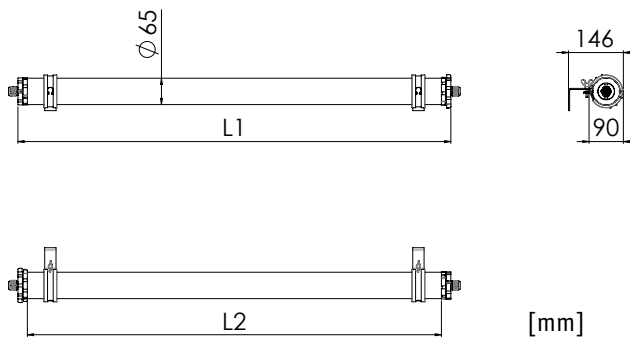




## Pressure watertight luminaire for open decks and deck rails, able to resist heavy seas, IP68

<b>Design</b>	According to rules of maritime classification societies and relevant standards
<b>Housing/Cover</b>	Clear polycarbonate, impact-proof
<b>End cap</b>	Polycarbonate
<b>Mounting</b>	2 stainless steel fixing clamps (not included)
<b>Cable entry</b>	2 cable glands M20, PA 6
<b>Wiring</b>	Flexible wiring, heat resistant up to 105°C
<b>Protection class</b>	IP68



Type	Lamp base	Part no.	Weight
18 W	G13	5105000702-005	2.2 kg
36 W	G13	5105000802-006	3.0 kg
24 W	G5	5105004102-001	2.0 kg
18 W	2G11	5105008400-000	1.2 kg

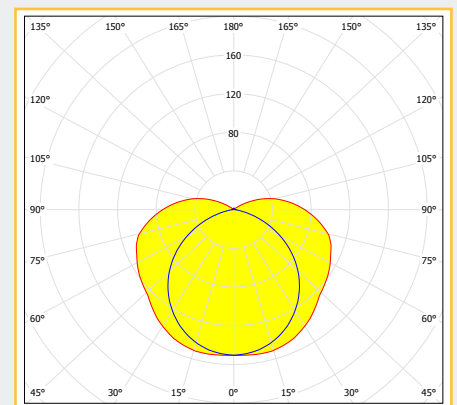
### Extras

- 120 V AC execution
- 24 V DC execution
- LED execution

Part no. 5105xxxxxx-xxx

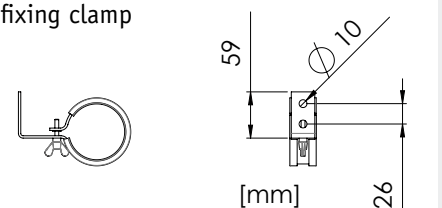
<b>Light source</b>	Linear or compact fluorescent lamp (not included)
<b>Voltage</b>	220-240 V AC
<b>Frequency</b>	50-60 Hz

### TL53 18 W



Type	L1	L2
18 W	1148	1100
36 W	1758	1710
24 W	848	800
18 W (CFL)	490	442

### fixing clamp



Spare parts	Part no.
Fixing clamp	7501000401
Cover 18 W	7112008200
Cover 24 W	7112032600
Cover 36 W	7112015900
Cover 18 W (2G11)	7112032700