



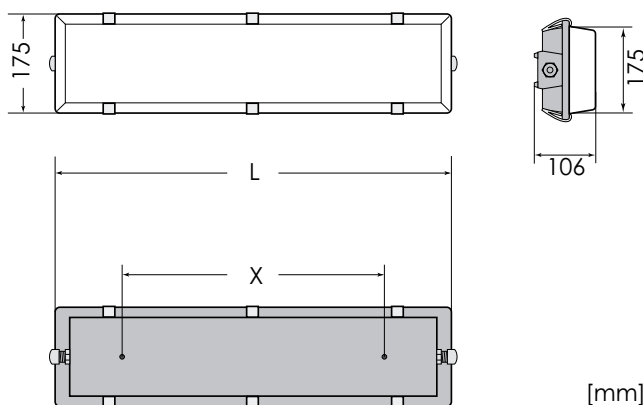
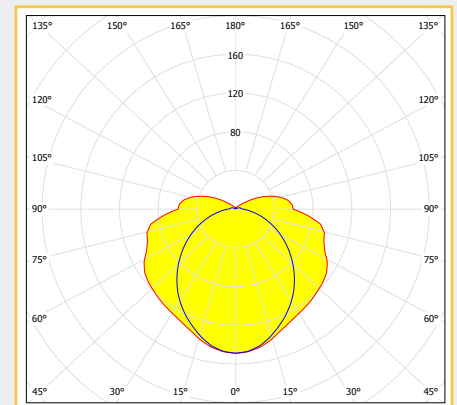
Part no. 2x 18 W 5105005700-008
2x 36 W 5105005800-005

Light source	T8 fluorescent tubes (not included)
Lamp Base	G13
Wattage	2x 18 W 2x 36 W
Voltage	220-240 V AC
Frequency	50-60 Hz

Watertight luminaire, surface mounting, for decks, stores and engine rooms, IP67

Design	According to rules of maritime classification societies and relevant standards
Housing	Reinforced polyester
Cover	Clear polycarbonate, prismatic, impact-proof
Mounting	2 mounting holes, Ø 6 mm
Cable entry	2 cable glands PG13.5, PA 6
Wiring	Flexible wiring, heat resistant up to 105°C
Protection class	IP67
Weight	2.1 kg (2x 18 W) / 3.4 kg (2x 36 W)

2x 18 W



Type	L	X
2x 18 W	682	450
2x 36 W	1295	800

Extras

- 120 V AC execution
- 24 V DC execution
- Electromagnetic ballast
- Emergency battery back-up

Spare parts	Part no.
Cover (2x 18 W)	7112022300
Cover (2x 36 W)	7112009200
Lamp holder G13 (4 pcs)	7111000100