

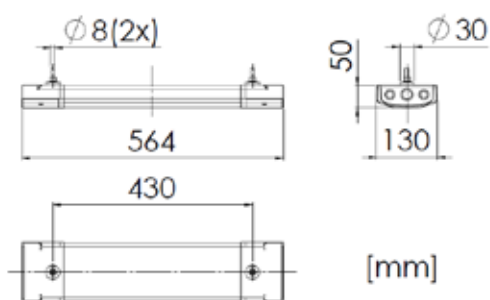


Part no. 5145000300-xxx

Light source	Linear LED module
Wattage	20 W
CCT (color)	4,000 K or 3,000 K
Luminous flux	2,200 Lm
Voltage	220-240 V AC
Frequency	50-60 Hz

Watertight luminaire for open decks and deck rails, able to resist heavy seas, IP66/67

Design	According to rules of maritime classification societies and relevant standards
Housing	Opal polycarbonate, impact-proof, UV-resistant
Mounting	Surface mounting
Cable entry	Max. 4 cable glands M20, max. 2 cable glands M25
Protection class	IP66/67
Weight	1.9 kg



Extras

- Battery backup unit
- Customized mounting brackets
- Shock proof execution
- Additional red or green light
- Through wiring
- Other cable glands on request
- Other supply voltages on request

