



Multipurpose watertight luminaire for engine rooms, work shops, stores, passage ways and outdoor areas, IP67

Design	According to rules of maritime classification societies and relevant standards
Housing	Galvanized steel, seamless deep drawn Stainless steel for outdoor marine environment Powder coated white (RAL9016)
Cover	Clear or opal polycarbonate, impact-proof, UV resistant
Mounting	Surface mounting. Mounting systems see page 15
Cable entry	2x M20 cable glands for cables Ø 6-13 mm, 2x M20 grommets
Wiring	Flexible wiring, heat resistant up to 105°C, through wiring
Protection class	IP67

Extras

24 V DC

Dimmable

LED mounting tray as refit for TL40 fluorescent types

Exterior connection box

Emergency battery back-up

Different color temperatures on request

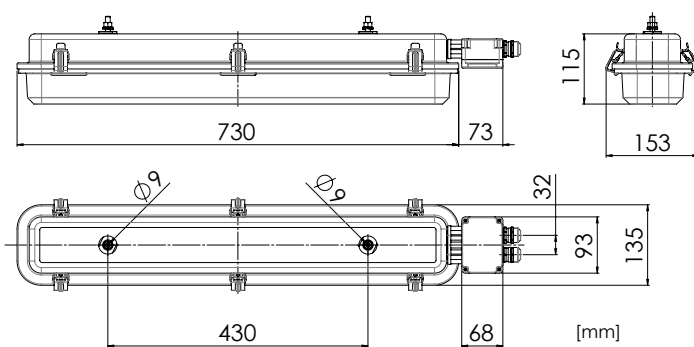
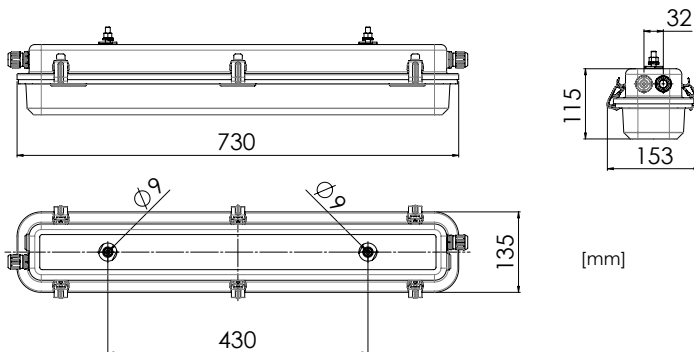
Different cable glands on request



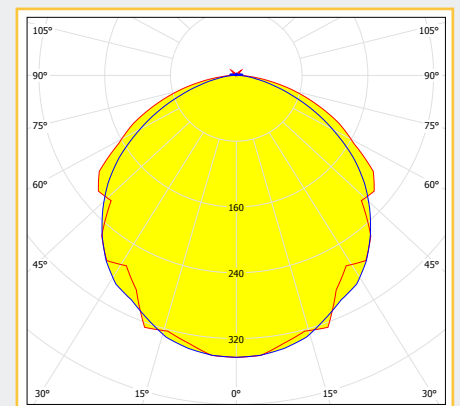
Part no. 5105009600-xxx

Type specification

Light source	Linear LP LED modules
Wattage	2x 10 W
Equivalent	2x 14 W FL T5 2x 18 W FL T8
CCT (color)	4,000 K
CRI	≥ 80
Voltage	110-240 V AC
Frequency	50-60 Hz
Weight	4.0 kg



with connection box



Spare parts

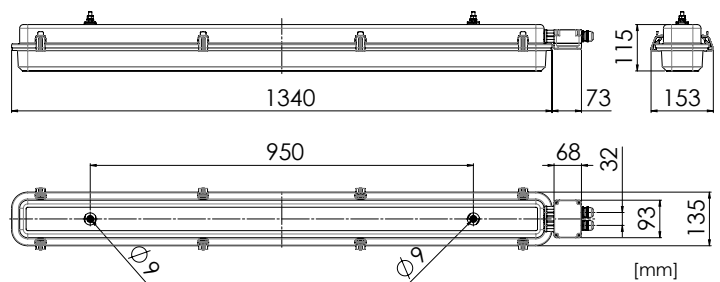
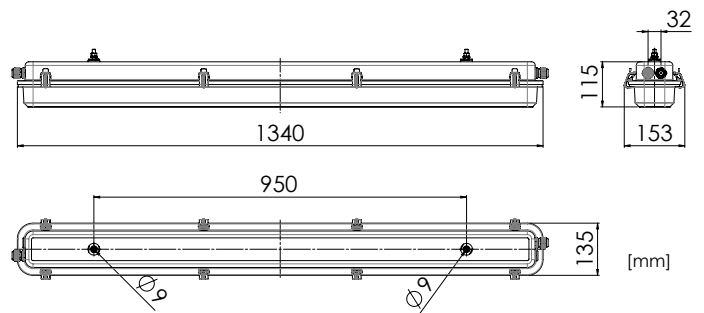
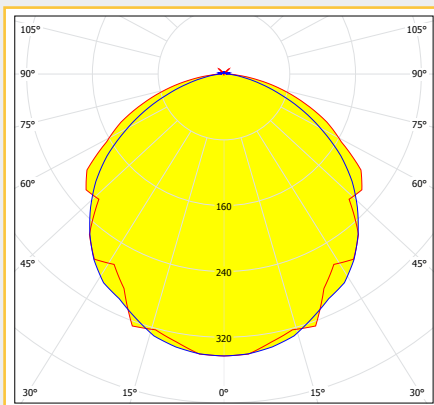
LED module kit	7409001000
LED driver	7103011100
Opal cover	7112001900
Clear cover	7112001100
Cover clamps (6 pcs)	7106000300
Locking latches (4 pcs)	7508002300

TL40 L Watertight Luminaire

2
14

Part no. 5105009700-xxx

Light source	Linear LP LED modules
Wattage	2x 20 W
Equivalent	2x 28 W FL T5 2x 36 W FL T8
CCT (color)	4,000 K
CRI	≥ 80
Voltage	110-240 V AC
Frequency	50-60 Hz
Weight	6.2 kg



Spare parts

LED module kit	7409001100
LED driver	7103011100
Opal cover	7112002000
Clear cover	7112001200
Cover clamps (8 pcs)	7106002200
Locking latches (4 pcs)	7508002300

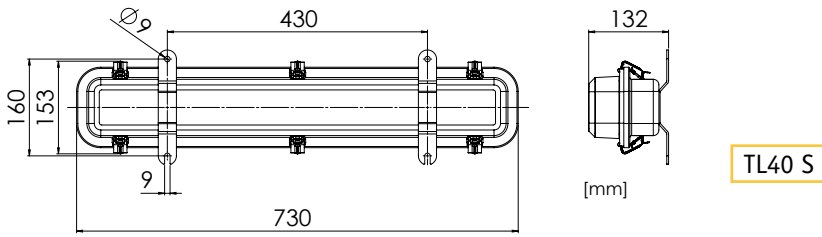


LightPartner Lichtsysteme GmbH & Co. KG

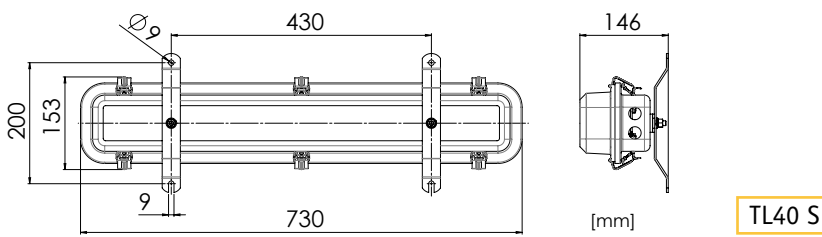
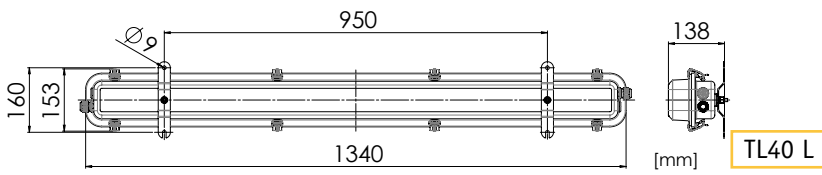
Technical modification reserved without prior notice

with connection box

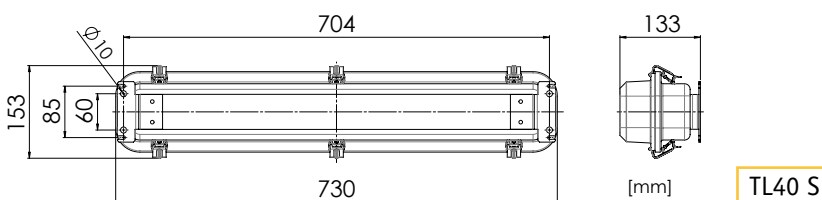
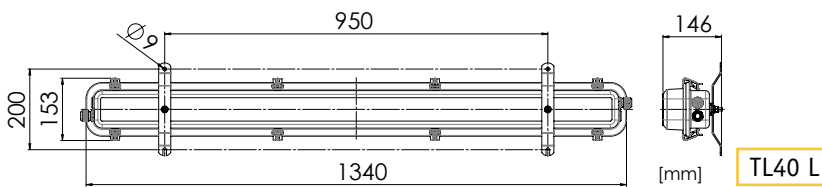
Mounting brackets



Type LP160



Type LP200



Type LP GL

